

SANDY FLAT CAMPGROUND

ELEVATION 2355', WIND 6#, SOIL A

GPS
35.581464
-118.524553

CREW NOTES

TRUCK ACCESS - NO (UNLESS CREW FEELS THEY CAN ACCESS WITH TRUCK)

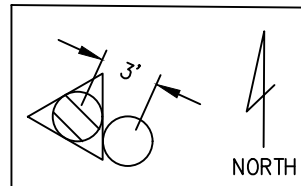
CREW TO REPLACE WITH COMP POLE DUE TO WOODPECKERS

CREW TO ADD UNISTRUT FOR EXISTING RISER

CREW TO TRANSFER COMM TRAFFIC CONTROL REQUIRED

MI DG ADDED TO EXTEND EXISTING DG DUE TO POLE MOVING AWAY FROM DOWN GUY

POLE DETAIL



TD2414773

IN: 4252839E

EXTREME

POLE

2

45'

CLASS 1

IN: 1 - POLE 45' CL 1 CMP SEC POLE W 18' SHLD

IN: 1 - XA DBL HD DE COMP 10'

IN: 1 - TR OH 25KVA 12KV 120/240 1P

SN: _____

IN: 1 - FE CO ELF W/8' HD TN CMP XA 100A 12KV 1P

IN: 2 - FE FUSE ELF 15KV 6A

IN: 1 - SA HFA POLY W/GND NO PRI-N 12KV 1P

IN: 1 - GR CMP OH #6 SOL WP SECONDARY W/ROD

IN: 1 - RSR PRECUT UNISTRUT W/ HARDWARE NO PVC

IN: 2 - INS POLY DE 12KV HVY LOAD #4 & 1/0

MI: 1 - AG DOWN GUY 3/8"-50' W/1-FGSI ALL KV

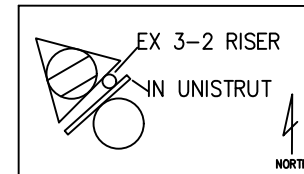
TR(IN): 1 - RSR 3" TO 2" EXTENSION

TR(IN): 1 - AG DOWN GUY 3/8"-50' W/1-FGSI ALL KV

EX 3/4" ANCHOR
XSR 3/8 FGS DG

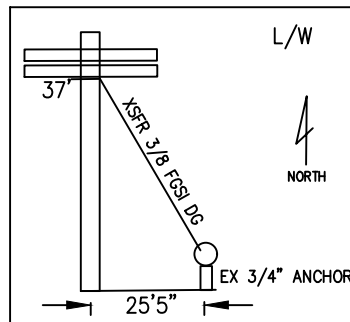
1/OATW-12-AB

RISER DETAIL



1710512E
45 1966 CL-2
BF53598

GUY DETAIL



TD2414773

RM: 4252839E

EXTREME

POLE

1

45'

CLASS 1

RM: 1 - POLE 45' CL 1 WD FT /W PROT BARR WF

RM: 1 - XA DBL HD DE COMP 10'

RM: 1 - TR OH 25KVA 12KV 120/240 1P

SN: _____

RM: 1 - FE CO ELF W/8' HD TN CMP XA 100A 12KV 1P

RM: 2 - FE FUSE ELF 15KV 6A

RM: 1 - SA HFA POLY W/GND NO PRI-N 12KV 1P

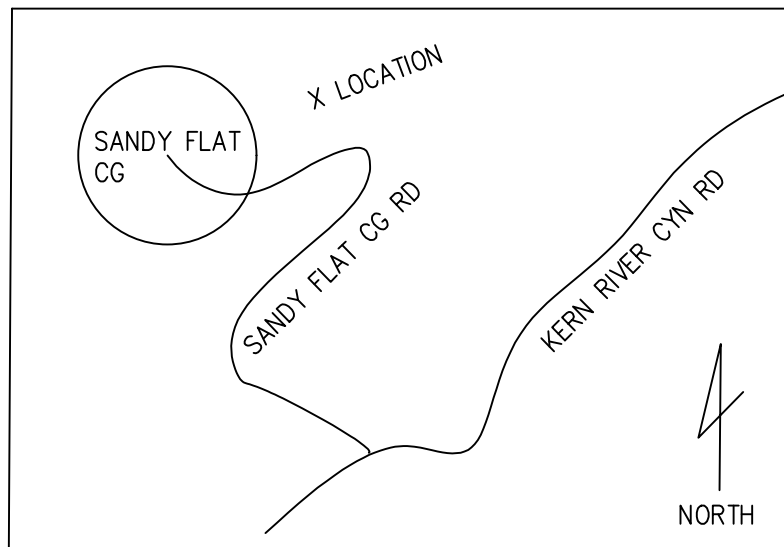
RM: 2 - INS POLY DE 12KV HVY LOAD #4 & 1/0

RM: 2 - KADDAS WILDLIFE CVD CND DEAD END COVER

TR(RM): 1 - RSR 3" TO 2" EXTENSION

TR(RM): 1 - AG DOWN GUY 3/8"-50' W/1-FGSI ALL KV

VICINITY MAP



PROJECT REQUIREMENTS (Y/N)

EDISON EASEMENT REQUIRED
PWRD 88 REQUIRED UG
CIVIL ONLY WORK ORDER
PERMIT REQUIRED

PERMIT TYPE: _____
OUTAGE REQUIRED

OUTAGE DATE: _____ TIME: _____

TRAFFIC CONTROL REQUIRED

PED. TRAFFIC CONTROL REQ'D

CONVEYANCE LETTER REQ'D

ENVIRONMENTAL REQUIREMENTS

DOCUMENT (ERD) REQUIRED

CSD 140 (TLM) REQ'D

CIRCUIT MAP CHANGE REQ'D (TD 203)

DIG ALERT APP

VERIFIED ACTIVE AND CONFIRMED USA TICKETS

UTILQUEST NOTIFIED

FAA MARKING REQ'D

FAA TYPE: _____

ACTUAL COST WORK ORDER

STANDARD ADHERENCE: 3RD Q/ 2025_Y

D124: 12/12/24

UNDERGROUND SERVICE ALERT

Contact USA
Dial 811 or 800-422-4133
www.digalert.org/contact

FOR UNDERGROUND LOCATING
TWO WORKING DAYS BEFORE YOU DIG

D16: 03/22/24



SOUTHERN CALIFORNIA
EDISON
An EDISON INTERNATIONAL Company

SCALE: 1' = 40'

OCI NOTIFICATION 414664095

CCD 11-22-2025

ESF RELEASE REQUIRED

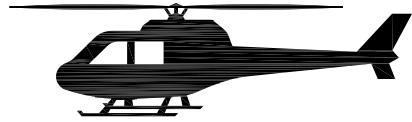
DISTRICT 53 - KERNVILLE		PROJ. MGR. EVANS, KAYLA JADE PHONE 805-494-7041		PLANNER EVANS, KAYLA JADE PHONE 805-494-7041		DESIGNER SNYDER, LISA	
PROJECT NO. 3078516	SERVICE REQUEST 3957829	MSR NO. N/A	PRODUCT-1 2414773-OCI			ASSOC DESGN	
CIRCUIT / VOLTAGE ERSKINE 12KV		GPS SEE MAP		PRODUCT-2		ASSOC DESGN	
SUB / PG NO. ISABELLA D1		CIRCUIT CODE 06040		PRODUCT-3		ASSOC DESGN	
INVENTORY MAP 756-1842-2		J.P.A. NO. N/A		PROPOSED CONSTRUCTION (LOCATION)			
				400' E/O SANDY FLAT CAMPGROUND BODFISH CA 93205			
TYPE	DATE	APPROVED BY	CHECKED BY	DRAWN BY	PAX #	SHEET	DESIGN\DRWG NO.
Southern California Edison Company						1 of 1	1848971_0.01

T.L.M. DATA: 4252839E			
SIZE	KVA	CUST	% LOAD
EXIST. 25.0	6.6	2	27.0%
PROP. 25.0	6.6	2	27.0%
VOLTAGE DROP: N/A			
FLICKER FACTOR: N/A			
PRI. CIRCUIT: ERSKINE 12KV			

D27: 03/22/24

SANDY FLATS CAMPGROUND

ELEVATION 2,373, WIND 6#, SOIL A



**HELICOPTER SET
REQUIRED ON
THIS WORK ORDER**

D158: 04/18/25

↑
1710504E
50 1966 CL-H2

GPS
35.585131
-118.524250

CREW NOTES

HELICOPTER SET
TRUCK ACCESS - NO
HARD SET
CREW TO PTD POLE PER JP01
INSTALLING COMP POLE DUE
TO WOODPECKERS
CREW TO TRANSFER COMM @22'
AND COMM DG @21'6"
CREW TO TRANSFER SCE COMM

PROJECT REQUIREMENTS (Y/N)	
EDISON EASEMENT REQUIRED	<input type="checkbox"/>
PWRD 88 REQUIRED UG	<input checked="" type="checkbox"/>
CIVIL ONLY WORK ORDER	<input type="checkbox"/>
PERMIT REQUIRED	<input checked="" type="checkbox"/>
PERMIT TYPE: <u>KC SPECIFIC - HELO</u>	
OUTAGE REQUIRED	<input checked="" type="checkbox"/>
OUTAGE DATE: _____ TIME: _____	
TRAFFIC CONTROL REQUIRED	<input type="checkbox"/>
PED. TRAFFIC CONTROL REQ'D	<input type="checkbox"/>
CONVEYANCE LETTER REQ'D	<input type="checkbox"/>
ENVIRONMENTAL REQUIREMENTS DOCUMENT (ERD) REQUIRED	<input checked="" type="checkbox"/>
CSD 140 (TLM) REQ'D	<input type="checkbox"/>
CIRCUIT MAP CHANGE REQ'D (TD 203)	<input type="checkbox"/>
DIG ALERT APP	<input type="checkbox"/>
VERIFIED ACTIVE AND CONFIRMED USA TICKETS	<input type="checkbox"/>
UTILQUEST NOTIFIED	<input type="checkbox"/>
FAA MARKING REQ'D	<input type="checkbox"/>
FAA TYPE: _____	
ACTUAL COST WORK ORDER	<input type="checkbox"/>
STANDARD ADHERENCE: <u>3RD Q / 2025</u> <u>Y</u>	

D124: 12/12/24

UNDERGROUND SERVICE ALERT

Contact USA
Dial 811 or 800-422-4133
www.digalert.org/contact

FOR UNDERGROUND LOCATING
TWO WORKING DAYS BEFORE YOU DIG

D16: 03/22/24

TD2411787
HARDSET
RM: 1710505E
EXTREME POLE
45'
CLASS H1
RM: 1 - POLE 45' CLASS H1 WOOD FULL TREAT
RM: 1 - XA SNGL TAN HD COMP 10' W/BKT
RM: 1 - XA SNGL TAN HD COMP 5' GUARD ARM
RM: 3 - INS 15KV POLY POST VERT CLMP TOP LG STD

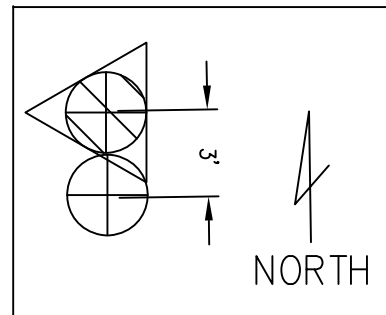
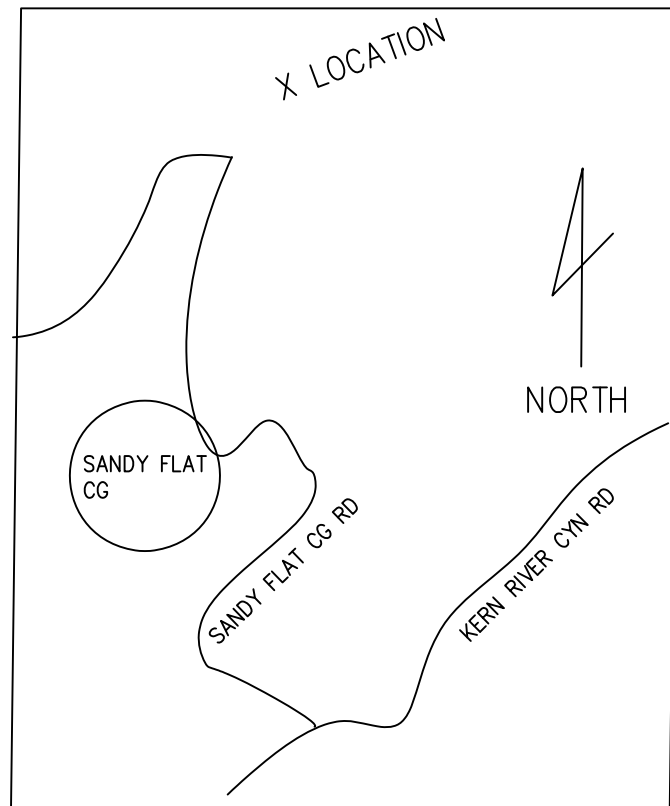
1

TD2411787
HARDSET
IN: 1710505E
EXTREME POLE

2

45'
CLASS H3
IN: 1 - POLE 45' CL H3/H4 RS CMP SEC W/25' SHLD
IN: 1 - XA SNGL TAN HD COMP 10' W/BKT
IN: 1 - XA SNGL TAN HD COMP 5' GUARD ARM
IN: 3 - INS 15KV POLY POST VERT CLMP TOP LG STD

VICINITY MAP



4180404E
45 1991 CL-4
1/25/12000-120/240

OCI NOTIFICATION 414664098
CCD 11-22-2025

ESF RELEASE REQUIRED



SCALE: 1' = 40'

DISTRICT 53 - KERNVILLE		PROJ. MGR. EVANS, KAYLA JADE PHONE 805-494-7041		PLANNER EVANS, KAYLA JADE PHONE 805-494-7041		DESIGNER SNYDER, LISA	
PROJECT NO. 3074226	SERVICE REQUEST 3953586	MSR NO. N/A	PRODUCT-1 2411787-OCI		ASSOC DESGN		
CIRCUIT / VOLTAGE ERSKINE 12KV		GPS SEE MAP	PRODUCT-2		ASSOC DESGN		
SUB / PG NO. ISABELLA D1		CIRCUIT CODE 06040	PRODUCT-3		ASSOC DESGN		
INVENTORY MAP 756-1842-2		J.P.A. NO. E6053-414874725		PROPOSED CONSTRUCTION (LOCATION)			
				1100' N/O SANDY FLAT CAMPGROUND LAKE ISABELLA CA 93240			
TYPE	DATE	APPROVED BY	CHECKED BY	DRAWN BY	PAX #	SHEET	DESIGN\DRWG NO.
Southern California Edison Company						1 of 1	1846626_0.01



D158: 04/18/25

SANDY FLAT CAMPGROUND

1/OATW-12-ABC

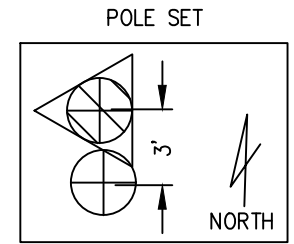
SANDY FLAT CAMPGROUND

ELEVATION 2361', WIND 6#, SOIL A

CREW NOTES
 TRUCK ACCESS - NO
 HELICOPTER SET
 HARD SET
 CREW TO PTD POLE PER JP01
 INSTALLING COMP POLE DUE
 TO WOODPECKERS

PROJECT REQUIREMENTS (Y/N)	
EDISON EASEMENT REQUIRED	<input type="checkbox"/>
PWRD 88 REQUIRED UG	<input checked="" type="checkbox"/>
CIVIL ONLY WORK ORDER	<input type="checkbox"/>
PERMIT REQUIRED	<input checked="" type="checkbox"/>
PERMIT TYPE: <u>KC_SPECIFIC</u>	
OUTAGE REQUIRED	<input checked="" type="checkbox"/>
OUTAGE DATE: _____ TIME: _____	
TRAFFIC CONTROL REQUIRED	<input checked="" type="checkbox"/>
PED. TRAFFIC CONTROL REQ'D	<input type="checkbox"/>
CONVEYANCE LETTER REQ'D	<input type="checkbox"/>
ENVIRONMENTAL REQUIREMENTS DOCUMENT (ERD) REQUIRED	<input checked="" type="checkbox"/>
CSD 140 (TLM) REQ'D	<input type="checkbox"/>
CIRCUIT MAP CHANGE REQ'D (TD 203)	<input type="checkbox"/>
DIG ALERT APP	<input type="checkbox"/>
VERIFIED ACTIVE AND CONFIRMED USA TICKETS	<input type="checkbox"/>
UTILQUEST NOTIFIED	<input type="checkbox"/>
FAA MARKING REQ'D	<input type="checkbox"/>
FAA TYPE: _____	
ACTUAL COST WORK ORDER	<input type="checkbox"/>
STANDARD ADHERENCE: <u>3RD.Q/2025_Y</u>	

D124: 12/12/24



GPS
 35.583802
 -118.524162

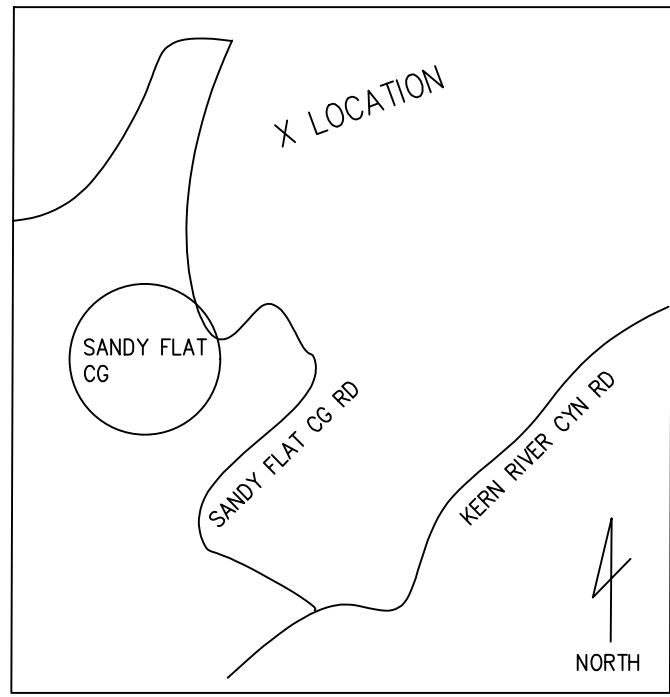
TD2414771 EXTREME POLE 1
 RM: 4648643E
 45' CLASS H1
 RM: 1 - POLE 45' CLASS H1 WOOD FULL TREAT
 RM: 1 - XA SNGL TAN HD COMP 10' W/BKT
 RM: 1 - XA SNGL TAN HD COMP 5' GUARD ARM
 RM: 3 - INS 15KV POLY POST VERT CLMP TOP LG STD

TD2414771 EXTREME POLE 2
 IN: 4648643E
 45' CLASS H3
 IN: 1 - POLE 45' CL H3/H4 RS CMP SEC W/25' SHLD
 IN: 1 - XA SNGL TAN HD COMP 10' W/BKT
 IN: 1 - XA SNGL TAN HD COMP 5' GUARD ARM
 IN: 3 - INS 15KV POLY POST VERT CLMP TOP LG STD

UNDERGROUND SERVICE ALERT
 Contact USA
 Dial 811 or 800-422-4133
 www.digalert.org/contact
 FOR UNDERGROUND LOCATING
 TWO WORKING DAYS BEFORE YOU DIG

D16: 03/22/24

VICINITY MAP



1/OATW-12-ABC

NOTIFICATION 414664094
 CCD 11-22-25
 ESF RELEASE REQUIRED



SCALE: 1' = 40'

DISTRICT 53 - KERNVILLE		PROJ. MGR. EVANS, KAYLA JADE PHONE 805-494-7041		PLANNER EVANS, KAYLA JADE PHONE 805-494-7041		DESIGNER SNYDER, LISA A		
PROJECT NO. 3078514	SERVICE REQUEST 3957827	MSR NO. N/A	PRODUCT-1 2414771-OCI					ASSOC DESGN
CIRCUIT / VOLTAGE ERSKINE 12KV		GPS SEE MAP		PRODUCT-2				ASSOC DESGN
SUB / PG NO. ISABELLA D1		CIRCUIT CODE 06040		PRODUCT-3				ASSOC DESGN
INVENTORY MAP 756-1842-2		J.P.A. NO. E6053-414873584		PROPOSED CONSTRUCTION (LOCATION)				
				800' N/O SANDY FLAT CAMPGROUND KERNVILLE CA 93238				
				SHEET 1 of 1		DESIGN\DRWG NO. 1848969_0.01		
Southern California Edison Company								

FILE NAME: 1848969_0.01.DWG SAVE DATE: 9/9/2025 10:34 AM SAVED BY: EVANSKJ

1710508E
 45 2010 CL-1

SANDY FLAT CAMPGROUND

ELEVATION 2,528' - WIND 6# - SOIL A
SAME HOLE SET

CREW NOTES

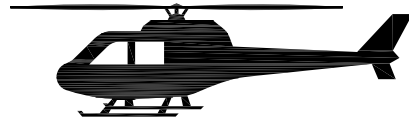
TRUCK ACCESS - NO
HELICOPTER SET
CREW TO PTD POLE PER JP01
SAME HOLE SET DUE TO DOUBLE DEAD ENDS
ADD MI ATW FOR SPLICING, IF NEEDED, DUE TO TALLER POLE
REPLACE DG DUE TO TALLER POLE
CREW TO TRANSFER COMM @19'
SCE COMM @23'2"

PROJECT REQUIREMENTS (Y/N)

- EDISON EASEMENT REQUIRED
- PWRD 88 REQUIRED UG
- CIVIL ONLY WORK ORDER
- PERMIT REQUIRED
- PERMIT TYPE: KC SPECIFIC -HELO
- OUTAGE REQUIRED
- OUTAGE DATE: _____ TIME: _____
- TRAFFIC CONTROL REQUIRED
- PED. TRAFFIC CONTROL REQ'D
- CONVEYANCE LETTER REQ'D
- ENVIRONMENTAL REQUIREMENTS DOCUMENT (ERD) REQUIRED
- CSD 140 (TLM) REQ'D
- CIRCUIT MAP CHANGE REQ'D (TD 203)
- DIG ALERT APP
- VERIFIED ACTIVE AND CONFIRMED USA TICKETS
- UTILIQUEST NOTIFIED
- FAA MARKING REQ'D
- FAA TYPE: _____
- ACTUAL COST WORK ORDER
- STANDARD ADHERENCE: 3RD Q/ 2025_Y

GPS
35.579731
-118.523841

KERN CANYON RD



HELICOPTER SET
REQUIRED ON
THIS WORK ORDER

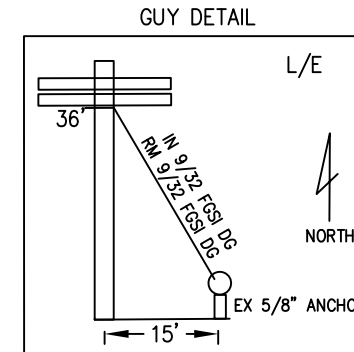
D158: 04/18/25

TD2414772
SAME HOLE
RM: 4648629E

EXTREME
POLE

1

- 40' CLASS 4
- RM: 1 - POLE 40' CLASS 4 WOOD FULL TREAT
 - RM: 1 - XA DBL HD DE COMP 10'
 - RM: 1 - XA SNGL FB 5' STEEL PINS
 - RM: 6 - INS 15KV POLY POST TRUN #4-336 SHT STD
 - RM: 6 - INS POLY DE 12KV HVY LOAD #4 & 1/0
 - RM: 6 - KADDAS WILDLIFE CVD CND DEAD END COVER
 - RM: 1 - AG DOWN GUY 9/32"-50' W/1-FGSI ALL KV



TD2414772
SAME HOLE
IN: 4648629E

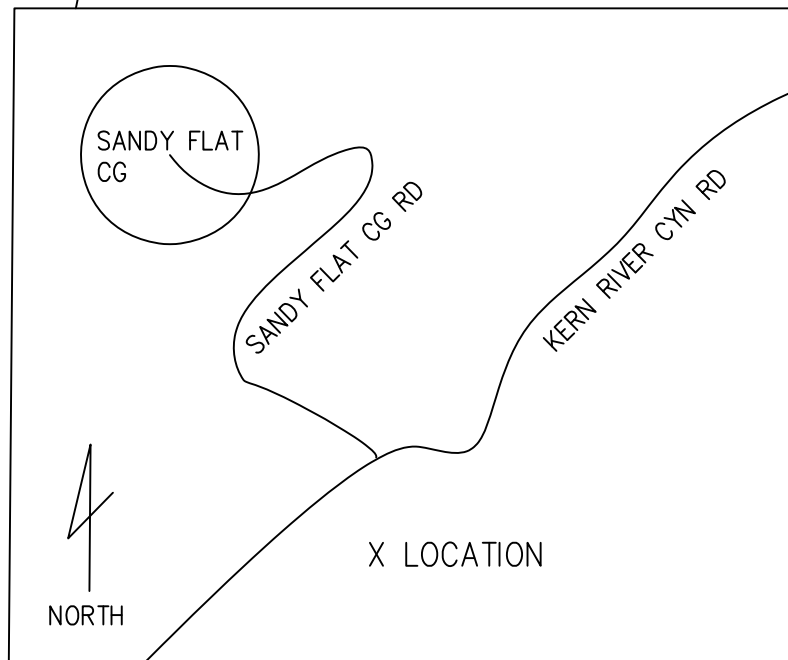
EXTREME
POLE

2

- 45' CLASS 1
- IN: 1 - POLE 45' CL 1 CMP POLE W 18' SHLD
 - IN: 1 - XA DBL HD DE COMP 10'
 - IN: 1 - XA SNGL TAN HD COMP 5' GUARD ARM
 - IN: 6 - INS POLY W/PIN 12(25)KV CLMP #4-336 ACSR
 - IN: 6 - INS POLY DE 12KV HVY LOAD #4 & 1/0
 - IN: 6 - KADDAS WILDLIFE CVD CND DEAD END COVER
 - IN: 1 - AG DOWN GUY 9/32"-50' W/1-FGSI ALL KV

EX 5/8" ANCHOR
RM 9/32 FGSI DG
IN 9/32 FGSI DG

NOTIFICATION 414664096
CCD 11-22-2025
ESF RELEASE REQUIRED



UNDERGROUND SERVICE ALERT

Contact USA
Dial 811 or 800-422-4133
www.digalert.org/contact

FOR UNDERGROUND LOCATING
TWO WORKING DAYS BEFORE YOU DIG

D16: 03/22/24



SOUTHERN CALIFORNIA
EDISON
An EDISON INTERNATIONAL Company

SCALE: 1' = 40'

DISTRICT 53 - KERNVILLE		PROJ. MGR. EVANS, KAYLA JADE PHONE 8054947041		PLANNER EVANS, KAYLA JADE PHONE 8054947041		DESIGNER SNYDER, LISA	
PROJECT NO. 3078515	SERVICE REQUEST 3957828	MSR NO. N/A	PRODUCT-1 2414772-OCI		ASSOC DESGN		
CIRCUIT / VOLTAGE ERSKINE 12KV		GPS SEE MAP		PRODUCT-2		ASSOC DESGN	
SUB / PG NO. ISABELLA D1		CIRCUIT CODE 06040		PRODUCT-3		ASSOC DESGN	
INVENTORY MAP 756-1842-2		J.P.A. NO. E6053-414901139		PROPOSED CONSTRUCTION (LOCATION)			
				KERN RIVER CYN RD-SANDY FLAT CAMPGROUND KERNVILLE CA 93238			
TYPE	DATE	APPROVED BY	CHECKED BY	DRAWN BY	PAX #	SHEET 1 of 1	DESIGN\DRWG NO. 1848970_0.01
Southern California Edison Company							