

HELICOPTER SET  
REQUIRED ON  
THIS WORK ORDER

D158: 04/18/25

770592E  
45 1948 CL-4  
1/25/16340-120/240

GT206067  
30 1996 CL-5

1639203E  
60 1967 CL-HT  
PS0700  
RAR0700

4551286E  
50 2005 CL-1  
BF01793

N TOPANGA CANYON BLVD

TD2495913  
SAME HOLE  
RM: 770592E  
EXTREME POLE 1

- 45' CLASS 4
- JPO1SHS
- RM: 1 - POLE 45' CLASS 4 WOOD FULL TREAT
  - RM: 1 - SEC ROLLER (166-CLEVIS & SPOOL)
  - RM: 6 - KADDAS WILDLIFE CVD CND DEAD END COVER
  - RM: 1 - RSR PRECUT UNISTRUT W/ HARDWARE NO PVC
  - RM: 1 - XA DBL HD DE COMP 10'
  - RM: 1 - TR OH 25KVA 16KV 120/240 1P
- SN:
- RM: 2 - FE CO MNT FOR ELF 100A 16KV 1-EA
  - RM: 2 - FE FUSE ELF 15KV 6A
  - RM: 1 - SA HFA POLY XFMR 16KV
  - RM: 1 - SA HFA POLY 16KV
  - RM: 1 - GR OH #6 SOL WP SECONDARY W/ROD
  - RM: 1 - RSR PVC/STRAP 3" TO 2" UNISTRUT APP
  - RM: 12 - INS GLASS/POLY 35KV & LESS
  - RM: 1 - AG DOWN GUY 9/32" - 50' LESS THAN 22.5KV
  - RM: 1 - AG ANCHOR ROD 3/4" X 8' 2-EYE W/PLATE

TD2495913  
SAME HOLE  
IN: 770592E  
EXTREME POLE 2

- 45' CLASS H4
- JPO1SHS
- IN: 1 - POLE 45' CL H4 CMP POLE W 18' SHLD
  - IN: 1 - RISER SUPPORT KIT FOR CMP LWS WD POLES
  - IN: 1 - SEC ROLLER (166-CLEVIS & SPOOL)
  - IN: 6 - KADDAS WILDLIFE CVD CND DEAD END COVER
  - IN: 1 - XA DBL HD DE COMP 10'
  - IN: 1 - XA SNGL TAN HD COMP 10' W/BKT
  - IN: 1 - TR OH 37KVA 16KV 120/240 1P
- SN:
- IN: 2 - FE CO MNT FOR ELF 100A 16KV 1-EA
  - IN: 2 - FE FUSE ELF 15KV 6A
  - IN: 1 - SA HFA POLY 16KV
  - IN: 1 - SA HFA POLY XFMR 16KV
  - IN: 1 - GR CMP OH #6 SOL WP SECONDARY W/ROD
  - IN: 1 - RSR PVC/STRAP 3" UNISTRUT APP
  - IN: 6 - INS 28KV POLY POST VERT CLMP TOP LNG STD
  - IN: 6 - INS POLY DE 16KV COLD 1/0 ACSR
  - IN: 1 - AG DOWN GUY 9/32"-50' W/1-FGSI ALL KV
  - IN: 1 - AG 23" PLT W/ 1-1/4"x10' 3 EYE ROD

CREW/PSPEC NOTES:  
POLE REPLACEMENT - EXCESSIVE POLE  
TOP DAMAGE/SPLITTING.  
PRIVATE ROAD.

NICO BARBONE 805-872-5813  
TD2495913  
ENVIROMENTAL - POLE REPLACEMENT  
OUTAGE-YES  
TRUCK ACC - NO  
PWR88 - RISER REPAIR  
SAME HOLE SET  
HELICOPTER SET  
VICASA/VALDEZ

JOB LOCATION:  
34.122923, -118.589449  
2080 SANTA MARIA RD, TOPANGA, CA 90290

SCOTT STERNBERG : 310-779-1916  
CALL FOR ACCESS - CLOSED GATE

PROJECT REQUIREMENTS (Y/N)

EDISON EASEMENT REQUIRED	<input type="checkbox"/>
PWRD 88 REQUIRED UG	<input checked="" type="checkbox"/>
CIVIL ONLY WORK ORDER	<input type="checkbox"/>
PERMIT REQUIRED	<input type="checkbox"/>
PERMIT TYPE:	OUTAGE REQUIRED <input type="checkbox"/>
OUTAGE DATE:	TIME:
TRAFFIC CONTROL REQUIRED	<input type="checkbox"/>
PED. TRAFFIC CONTROL REQ'D	<input type="checkbox"/>
CONVEYANCE LETTER REQ'D	<input type="checkbox"/>
ENVIRONMENTAL REQUIREMENTS DOCUMENT (ERD) REQUIRED	<input checked="" type="checkbox"/>
CSD 140 (TLM) REQ'D	<input type="checkbox"/>
CIRCUIT MAP CHANGE REQ'D (TD 203)	<input type="checkbox"/>
DIG ALERT APP	<input type="checkbox"/>
VERIFIED ACTIVE AND CONFIRMED USA TICKETS	<input type="checkbox"/>
UTILIQUEST NOTIFIED	<input type="checkbox"/>
FAA MARKING REQ'D	<input type="checkbox"/>
FAA TYPE:	ACTUAL COST WORK ORDER <input type="checkbox"/>
STANDARD ADHERENCE: 1ST_Q/_2026_Y	

**UNDERGROUND SERVICE ALERT**  
Contact USA  
Dial 811 or 800-422-4133  
[www.digalert.org/contact](http://www.digalert.org/contact)

FOR UNDERGROUND LOCATING  
TWO WORKING DAYS BEFORE YOU DIG

D124: 12/12/24

GPS COORDINATES
N 34.122925
W -118.589429

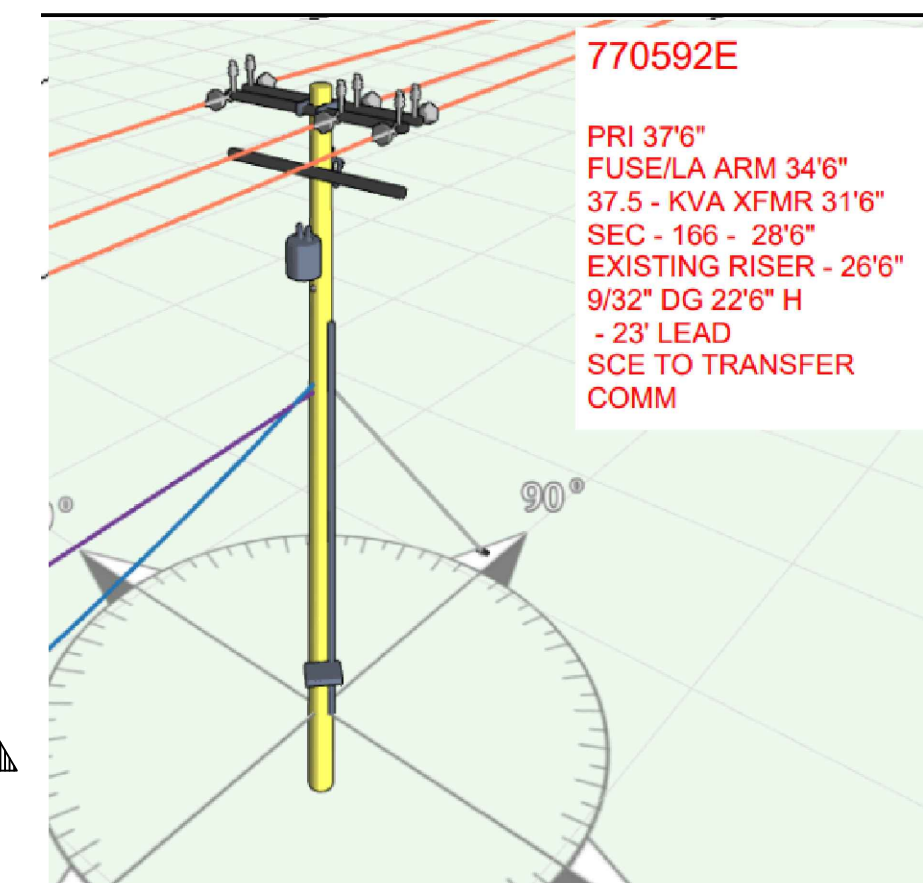
D16: 03/22/24

T.L.M. DATA: 770592E

SIZE	KVA	CUST	% LOAD
EXIST. 25	22.7	1	90%
PROP. 37.5	22.7	1	61%

VOLTAGE DROP: —  
FLICKER FACTOR: —  
PRI. CIRCUIT: VICASA 16KV

D27: REV. 12/10/21



SOUTHERN CALIFORNIA  
**EDISON**  
An EDISON INTERNATIONAL Company

SCALE: 1" = 40'

FINAL DESIGN  
APPROVED FOR CONSTRUCTION



DISTRICT 35 - THOUSAND OAKS	PROJ. MGR. BARBONE, NICOLAS PHONE 805-872-5813	PLANNER BARBONE, NICOLAS PHONE	DESIGNER LUGO, ARLENE				
PROJECT NO. 3173990	SERVICE REQUEST 4051766	MSR NO.	PRODUCT-1 2495913-OCI	ASSOC DESGN			
CIRCUIT / VOLTAGE VICASA 16KV	GPS	CIRCUIT CODE	PRODUCT-2	ASSOC DESGN			
SUB / PG NO. VALDEZ SUB			PRODUCT-3	ASSOC DESGN			
INVENTORY MAP	J.P.A. NO. 415159048	PROPOSED CONSTRUCTION (LOCATION) SCE 2080 SANTA MARIA RD TOPANGA CA 90290					
TYPE	DATE	APPROVED BY	CHECKED BY	DRAWN BY	PAX #	SHEET 1 of 1	DESIGN\DRWG NO. 1913451_0.01
Southern California Edison Company							

FILE NAME: 1913451\_0.01.DWG SAVE DATE: 2/26/2025 6:23 AM SAVED BY: LUGOAR