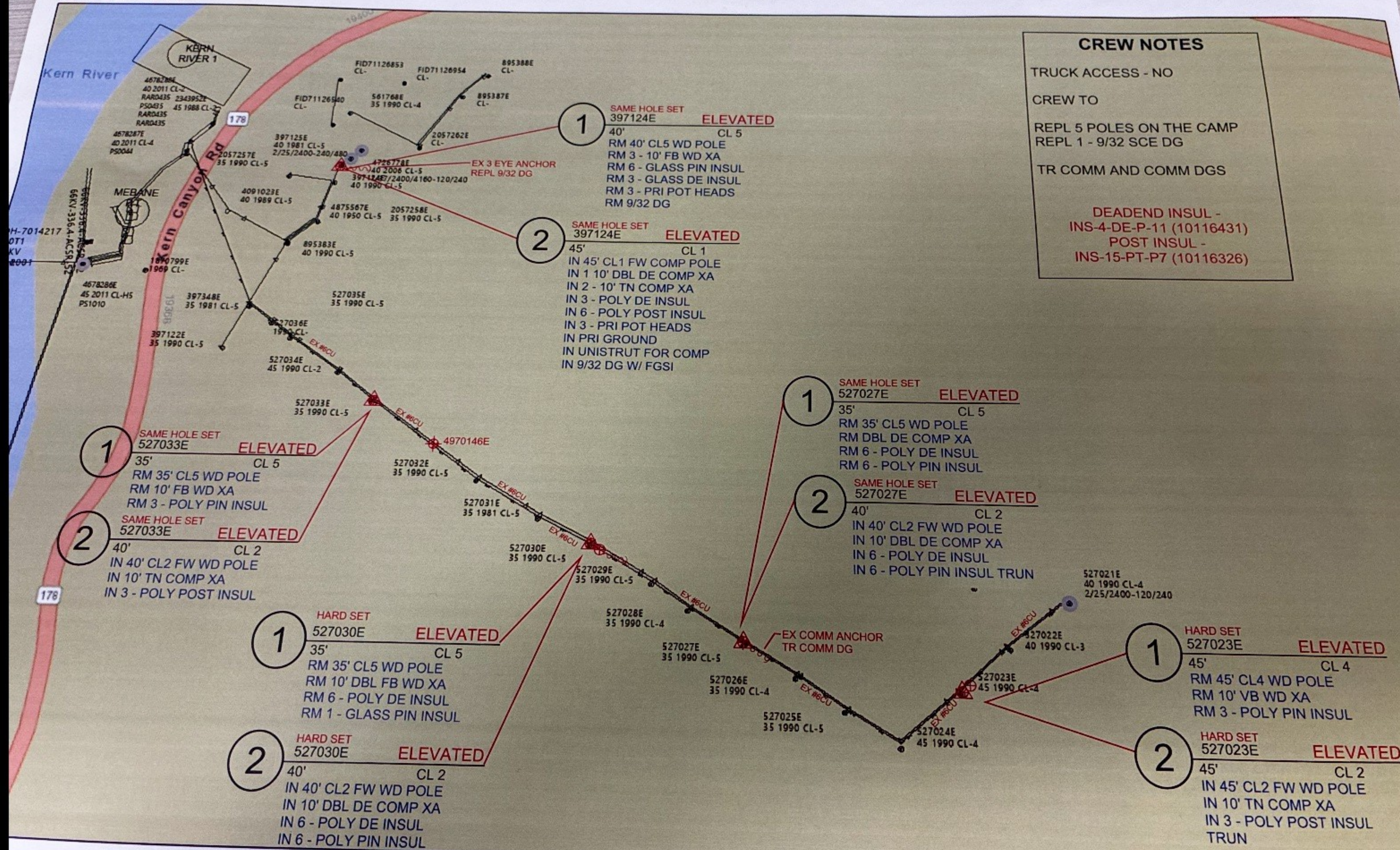


RIVER FIRE



CREW NOTES

TRUCK ACCESS - NO
 CREW TO
 REPL 5 POLES ON THE CAMP
 REPL 1 - 9/32 SCE DG
 TR COMM AND COMM DGS

DEADEND INSUL -
 INS-4-DE-P-11 (10116431)
 POST INSUL -
 INS-15-PT-P7 (10116326)

1 SAME HOLE SET 527033E ELEVATED
 35' CL 5
 RM 35' CL5 WD POLE
 RM 10' FB WD XA
 RM 3 - POLY PIN INSUL

2 SAME HOLE SET 527033E ELEVATED
 40' CL 2
 IN 40' CL2 FW WD POLE
 IN 10' TN COMP XA
 IN 3 - POLY POST INSUL

1 HARD SET 527030E ELEVATED
 35' CL 5
 RM 35' CL5 WD POLE
 RM 10' DBL FB WD XA
 RM 6 - POLY DE INSUL
 RM 1 - GLASS PIN INSUL

2 HARD SET 527030E ELEVATED
 40' CL 2
 IN 40' CL2 FW WD POLE
 IN 10' DBL DE COMP XA
 IN 6 - POLY DE INSUL
 IN 6 - POLY PIN INSUL

1 SAME HOLE SET 397124E ELEVATED
 40' CL 5
 RM 40' CL5 WD POLE
 RM 3 - 10' FB WD XA
 RM 6 - GLASS PIN INSUL
 RM 3 - GLASS DE INSUL
 RM 3 - PRI POT HEADS
 RM 9/32 DG

2 SAME HOLE SET 397124E ELEVATED
 45' CL 1
 IN 45' CL1 FW COMP POLE
 IN 1 10' DBL DE COMP XA
 IN 2 - 10' TN COMP XA
 IN 3 - POLY DE INSUL
 IN 6 - POLY POST INSUL
 IN 3 - PRI POT HEADS
 IN PRI GROUND
 IN UNISTRUT FOR COMP
 IN 9/32 DG W/ FGSI

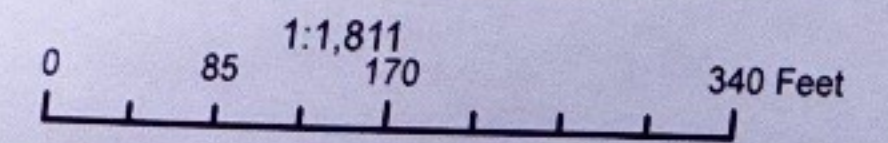
1 SAME HOLE SET 527027E ELEVATED
 35' CL 5
 RM 35' CL5 WD POLE
 RM DBL DE COMP XA
 RM 6 - POLY DE INSUL
 RM 6 - POLY PIN INSUL

2 SAME HOLE SET 527027E ELEVATED
 40' CL 2
 IN 40' CL2 FW WD POLE
 IN 10' DBL DE COMP XA
 IN 6 - POLY DE INSUL
 IN 6 - POLY PIN INSUL TRUN

1 HARD SET 527023E ELEVATED
 45' CL 4
 RM 45' CL4 WD POLE
 RM 10' VB WD XA
 RM 3 - POLY PIN INSUL

2 HARD SET 527023E ELEVATED
 45' CL 2
 IN 45' CL2 FW WD POLE
 IN 10' TN COMP XA
 IN 3 - POLY POST INSUL
 TRUN

Printed: 05-26-2026



CONFIDENTIAL: CRITICAL ENERGY INFRASTRUCTURE INFORMATION (CEII)
 This information is classified as CEII as defined in 18 Code of Federal Regulations section 388.113(c)(1), should be treated as such, and should not be supplied to third-party without the required authorization/approval in advance per SCE-OPS-CEII-PL-451. The information is intended to be used for reference only as it is not a legal representation. This information may not be electronically or physically copied or distributed without the express written permission of Southern California Edison.

CREW NOTES

TRUCK ACCESS – NO
 FOOT ACCESS – NO
 ENVIRO RELEASE REQUIRED
 HELICOPTER SET REQUIRED

OCI NOTIFICATION 413307554
 CCD 09-12-2024

WIND ZONE 12#
 ELEVATION 1377 FEET

PROJECT REQUIREMENTS (Y/N)

- EDISON EASEMENT REQUIRED
- PWRD 88 REQUIRED UG
- CIVIL ONLY WORK ORDER
- PERMIT REQUIRED
- PERMIT TYPE: _____
- OUTAGE REQUIRED
- OUTAGE DATE: _____ TIME: _____
- TRAFFIC CONTROL REQUIRED
- PED. TRAFFIC CONTROL REQ'D
- CONVEYANCE LETTER REQ'D
- ENVIRONMENTAL REQUIREMENTS DOCUMENT (ERD) REQUIRED
- CSD 140 (TLM) REQ'D
- CIRCUIT MAP CHANGE REQ'D (TD 203)
- DIG ALERT APP
- VERIFIED ACTIVE AND CONFIRMED USA TICKETS
- UTILQUEST NOTIFIED
- FAA MARKING REQ'D
- FAA TYPE: _____
- ACTUAL COST WORK ORDER
- STANDARD ADHERENCE: 1ST Q / 2025 Y

ACCESS IMPOSSIBLE BY FOOT OR TRUCK

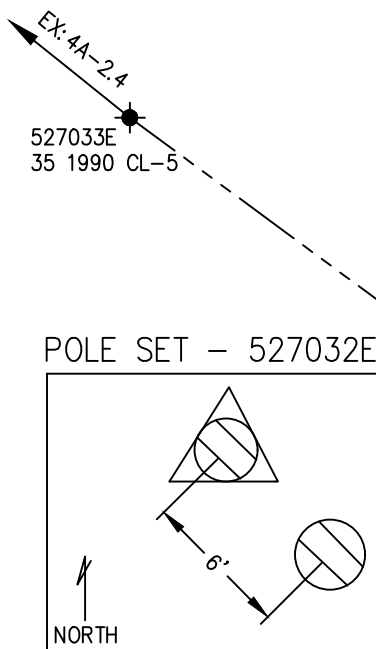
CREW/TOOLS/EQUIPMENT NEEDS TO BE FLOWN IN TO PROJECT LOCATION

CREW TO INSTALL 40' CL1 COMP FR SHIELD POLE

CREW TO TRANSFER EXISTING EQUIPMENT AT COMM LEVEL TO NEW POLE

EXTREME ELEVATION CHANGE BETWEEN POLE SPANS:

- 397348E – 1044 FEET ELEVATION
- 527033E – 1206 FEET ELEVATION
- 527032E – 1377 FEET ELEVATION
- 527031E – 1455 FEET ELEVATION
- 527024E – 1890 FEET ELEVATION



GPS:
 35.458600
 -118.777885

TD2218396 ELEVATED POLE 1
 RM: 527032E
 35' CLASS 5
 RM: 1 - POLE 35' CLASS 5 WOOD FULL TREAT
 RM: 1 - XA SNGL FB 10' STEEL PINS
 RM: 3 - INS GLASS/POLY 35KV & LESS
 RM: 1 - AG DOWN GUY 9/32" - 50' LESS THAN 22.5KV

TD2218396 ELEVATED POLE 2
 IN: 527032E
 40' CLASS 1
 IN: 1 - POLE 40' CLASS 1 COMPOSITE FR SHIELD
 IN: 1 - OH GUYING TEE KIT CMP & WOOD
 IN: 1 - XA SNGL TAN HD COMP 10' W/BKT
 IN: 3 - INS POLY PIN 12KV VRT VICE NYLON
 IN: 1 - MISC AVIAN HOOD FOR HENDRIX INSUL #4-653
 IN: 1 - AG DOWN GUY 3/8"-50' W/1-FGSI ALL KV

RM: 9/32" DG
 IN: 3/8" DG FGSI

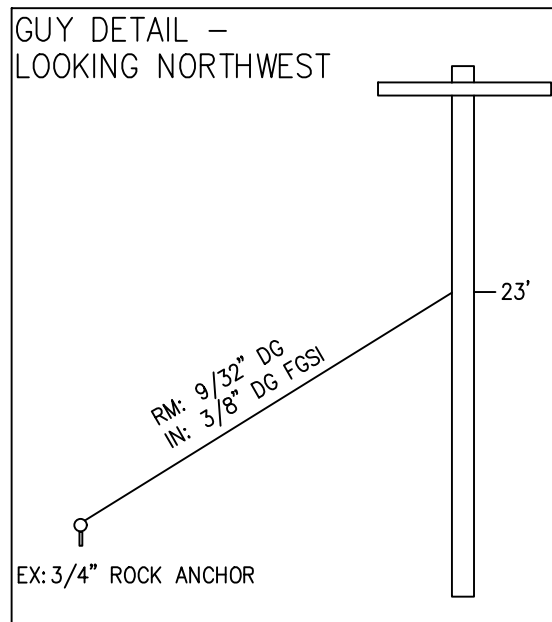
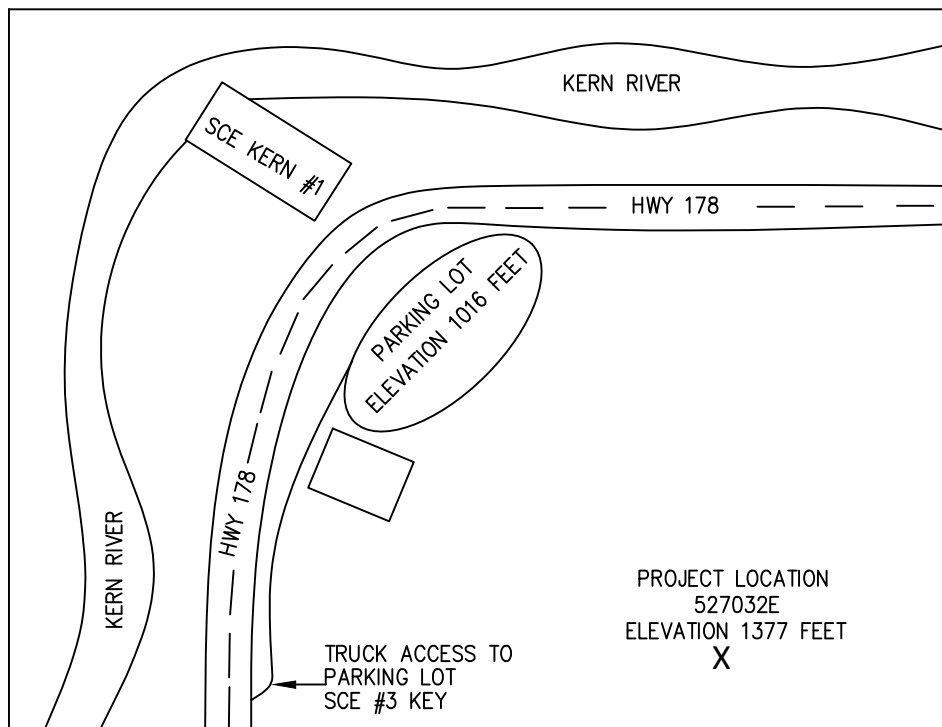
EX: 3/4" ROCK ANCHOR

UNDERGROUND SERVICE ALERT
 Contact USA
 Dial 811 or 800-422-4133
www.digalert.org/contact
 FOR UNDERGROUND LOCATING
 TWO WORKING DAYS BEFORE YOU DIG

D124: 12/12/24



VICINITY MAP



DISTRICT 53 - KERNVILLE		PROJ. MGR. EMERY, KYLER A PHONE 6616253432	PLANNER EMERY, KYLER A PHONE 6616253432	DESIGNER EMERY, KYLER A			
PROJECT NO. 2779549	SERVICE REQUEST 3663263	MSR NO. N/A	PRODUCT-1 TD2218396 - OCI	ASSOC DESGN			
CIRCUIT / VOLTAGE CAMP 2.4/12 KV		GPS SEE MAP	PRODUCT-2	ASSOC DESGN			
SUB / PG NO. KERN RIVER 1		CIRCUIT CODE 02786	PRODUCT-3	ASSOC DESGN			
INVENTORY MAP 712-1767-1		J.P.A. NO. N/A	PROPOSED CONSTRUCTION (LOCATION) KERN RIVER 1 HYDRO PLANT FOREBAY LINE WOFFORD HEIGHTS CA 93285				
TYPE	DATE	APPROVED BY	CHECKED BY	DRAWN BY	PAX #	SHEET 01 of 01	DESIGN/DRWG NO. 1695389_0.01